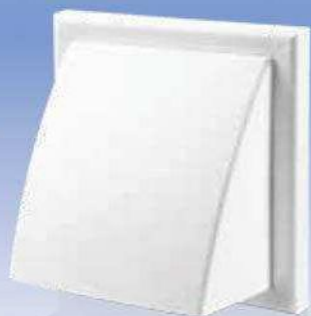


SUPPLY AND EXHAUST PLASTIC GRILLES

MV 102 MV 122 MV 152 Series



Application

- Decoration of supply and exhaust vents of public, residential and industrial ventilation systems.
- External wall mounting.

Design

- Made of quality and durable plastic.
- Two-element structure for easy maintenance.
- Screw fixing.
- Equipped with a protecting grille against birds and rodents.

Colour modifications



Modifications

MV 102, MV 122 - basic modifications



- Supply and exhaust hoods for wall mounting.
- Screw fixing.



MV 102 V, MV 122 V, MV 152 V - models with a round flange



- Supply and exhaust hoods for wall mounting.
- Equipped with a round connecting flange for mounting to \varnothing 100 mm (MV 102 V), \varnothing 125 mm (MV 122 V), \varnothing 150 mm (MV 125 V) air ducts.



MV 102 VU - model with a multi-section flange (VU)



- Supply and exhaust hood for wall mounting.
- Equipped with a connecting flange for mounting to \varnothing 100, 125 or 55x110 mm air ducts.



MV 122 VN - model with a flange with various diameters



- Supply and exhaust hood for wall mounting.
- Equipped with a round connecting flange with various diameters for mounting to \varnothing 100/110/120/130/150 mm air ducts.



MV 102 K and MV 122 K - models with a backdraft damper


- Exhaust hoods for wall mounting.
- Fitted with a gravity backdraft damper for back flow prevention.


MV 102 VK, MV 122 VK, MV 152 VK - models with a round flange and a backdraft damper


- Exhaust hoods for wall mounting.
- Fitted with a gravity backdraft damper for back flow prevention.
- Equipped with a round connecting flange for mounting with \varnothing 100 mm (MV 102 VK), \varnothing 125 mm (MV 122 VK), \varnothing 150 mm (MV 152 VK) air ducts.


MV 102 VUK - model with a multi-section flange (VU)


- Exhaust hood for wall mounting.
- Fitted with a gravity backdraft damper for back flow prevention.
- Equipped with a multi-section flange for mounting with \varnothing 100, 125 mm or 55x110 mm air duct.


MV 122 VNK - model with a flange with various diameters (VN)


- Exhaust hood for wall mounting.
- Equipped with a round connecting flange with various diameters for mounting with \varnothing 100/110/120/130/150 mm air ducts.
- Fitted with a gravity backdraft damper for back flow prevention.


Overall dimensions

Model	Dimensions, mm						Air pass, m ²	Fig. no.
	□B	□H	L	L1	L2	Flange (D)		
MV 102 / MV 102 K	154	110	15	-	87	-	0,008	1
MV 102 V / MV 102 VK	154	110	15	45	87	100	0,008	1, 2
MV 102 VU / MV 102 VUK	154	110	15	39	87	100, 125, 55*110	0,008	1, 3
MV 122 / MV 122 K	186	142	15	-	101	-	0,012	1
MV 122 V / MV 122 VK	186	142	15	45	101	125	0,012	1, 2
MV 122 VN / MV 122 VNK	186	142	15	115	101	100, 110, 120, 130, 150	0,012	1, 4
MV 152 V / MV 152 VK	186	142	15	35	101	150	0,012	1, 2

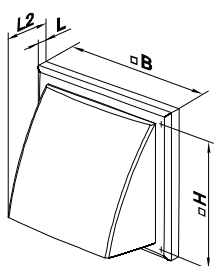


Fig. 1

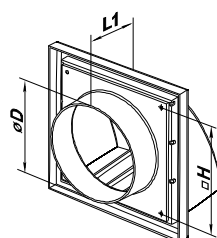


Fig. 2

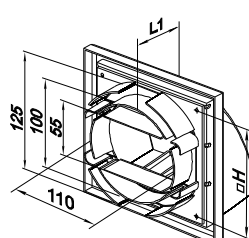


Fig. 3

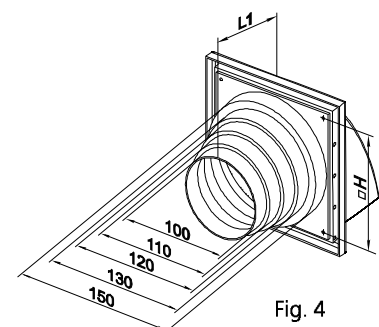


Fig. 4